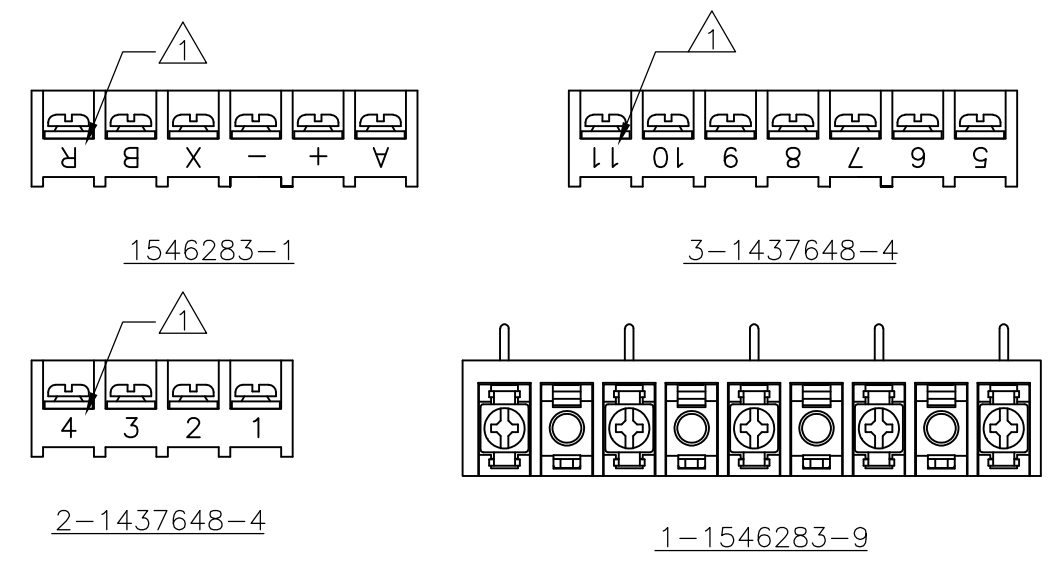
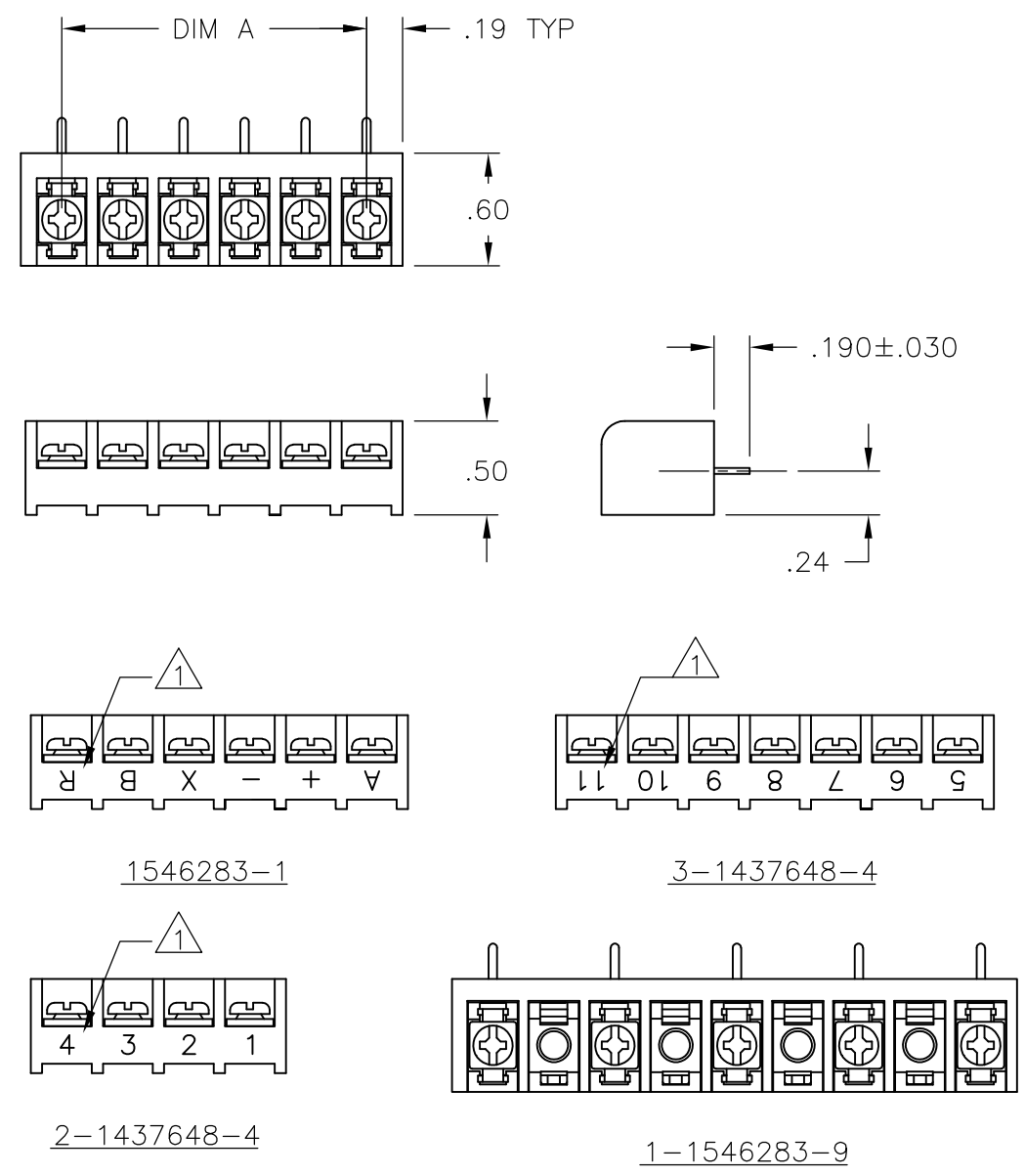


THIS DRAWING IS UNPUBLISHED. RELEASED FOR PUBLICATION
 © COPYRIGHT - By - ALL RIGHTS RESERVED.

LOC	DIST	REVISIONS					
FT	0	P	LTR	DESCRIPTION	DATE	DWN	APVD
			C1	REVISED PER ECO-11-004917	11MAR11	RK	HMR

- ① MARKED USING WHITE INK AS SHOWN.
- ② SCREWS BOTTOMED.
- ③ OBSOLETE PARTS: OBSOLETE CIS STREAMLINING PER D.RENAUD/D.SINISI



8.775	28	4PCR-28-006	1546279-1	
8.450	27	4PCR-27-006	1-1546283-6	
8.125	26	4PCR-26-006	1-1546283-5	
7.800	25	4PCR-25-006	1-1546283-4	
7.475	24	4PCR-24-006	9-1546119-1	
7.150	23	4PCR-23-006	4-1437648-9	
6.825	22	4PCR-22-006	1-1546283-3	
6.500	21	4PCR-21-006	1-1546283-2	
6.175	20	4PCR-20-006	1-1546283-1	
5.850	19	4PCR-19-006	1-1546283-0	
5.525	18	4PCR-18-006	1546283-9	
5.200	17	4PCR-17-006	4-1437648-8	
4.875	16	4PCR-16-006	1546283-8	
4.550	15	4PCR-15-006	1546283-7	
4.225	14	4PCR-14-006	1546283-6	
3.900	13	4PCR-13-006	1546283-5	
3.575	12	4PCR-12-006	9-1546119-0	
3.250	11	4PCR-11-006	1546283-4	
2.925	10	4PCR-10-006	8-1546119-9	
2.600	9	4PCR-05-526	1-1546283-9	
②③ OBSOLETE	2.600	9	4PCR-09-518	1546283-3
	2.600	9	4PCR-09-006	4-1437648-1
③ OBSOLETE	2.275	8	4PCR-08-006	3-1437648-8
	1.950	7	4PCR-07-444	3-1437648-4
③ OBSOLETE	1.950	7	4PCR-07-006	8-1546119-8
②③ OBSOLETE	1.625	6	4PCR-06-517	1546283-2
	1.625	6	4PCR-06-519	1546283-1
	1.625	6	4PCR-06-006	3-1437648-1
	1.300	5	4PCR-05-006	2-1437648-8
③ OBSOLETE	.975	4	4PCR-04-468	2-1437648-4
	.975	4	4PCR-04-006	2-1437648-3
	.650	3	4PCR-03-006	2-1437648-0
	.325	2	4PCR-02-006	1-1437648-8

DIM A REF	NO OF POS	CATALOG NUMBER	PART NO.
-----------	-----------	----------------	----------

THIS DRAWING IS A CONTROLLED DOCUMENT.

DWN S SCHLEGEL 9/26/03
 CHK S. YODER 9/26/03
 APVD S. YODER 9/26/03

STE TE Connectivity

NAME: 4PCR-XX-006 ASSEMBLY

PRODUCT SPEC: -
 APPLICATION SPEC: -

SIZE: A3 CAGE CODE: 00779 DRAWING NO: C-2-1437648-0 RESTRICTED TO: -

WEIGHT: -

CUSTOMER DRAWING SCALE: NTS SHEET: 1 OF 2 REV: C1

DIMENSIONS: INCHES	TOLERANCES UNLESS OTHERWISE SPECIFIED:
	0 PLC ± -
	1 PLC ± -
	2 PLC ± .01
	3 PLC ± .005
	4 PLC ± -
	ANGLES ± 1°
MATERIAL: -	FINISH: -

4

3


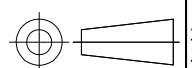
2

1

THIS DRAWING IS UNPUBLISHED. RELEASED FOR PUBLICATION - , - .
 © COPYRIGHT - By - ALL RIGHTS RESERVED.

LOC	DIST	REVISIONS					
FT	0	P	LTR	DESCRIPTION	DATE	DWN	APVD
		-		SEE SHEET 1	-	-	-

9.425	30	4PCR-30-006	1-1546283-8
9.100	29	4PCR-29-006	1-1546283-7
DIM A REF	NO OF POS	CATALOG NUMBER	PART NO.

THIS DRAWING IS A CONTROLLED DOCUMENT.		DWN	S. SCHLEGEL	9/26/03	 TE Connectivity		
DIMENSIONS: INCHES		CHK	S. YODER	9/26/03			
		APVD	S. YODER	9/26/03			
TOLERANCES UNLESS OTHERWISE SPECIFIED:		PRODUCT SPEC		NAME			
0 PLC ± -		-		4PCR-XX-006 ASSEMBLY			
1 PLC ± -		APPLICATION SPEC		SIZE			
2 PLC ± .01		-		CAGE CODE		DRAWING NO	RESTRICTED TO
3 PLC ± .005		-		A3 00779		C-2-1437648-0	-
4 PLC ± -		WEIGHT		CUSTOMER DRAWING		SCALE	SHEET
ANGLES ± 1°		-		-		NTS	2 OF 2
MATERIAL	FINISH	-		-		REV	C1
-	-	-		-			